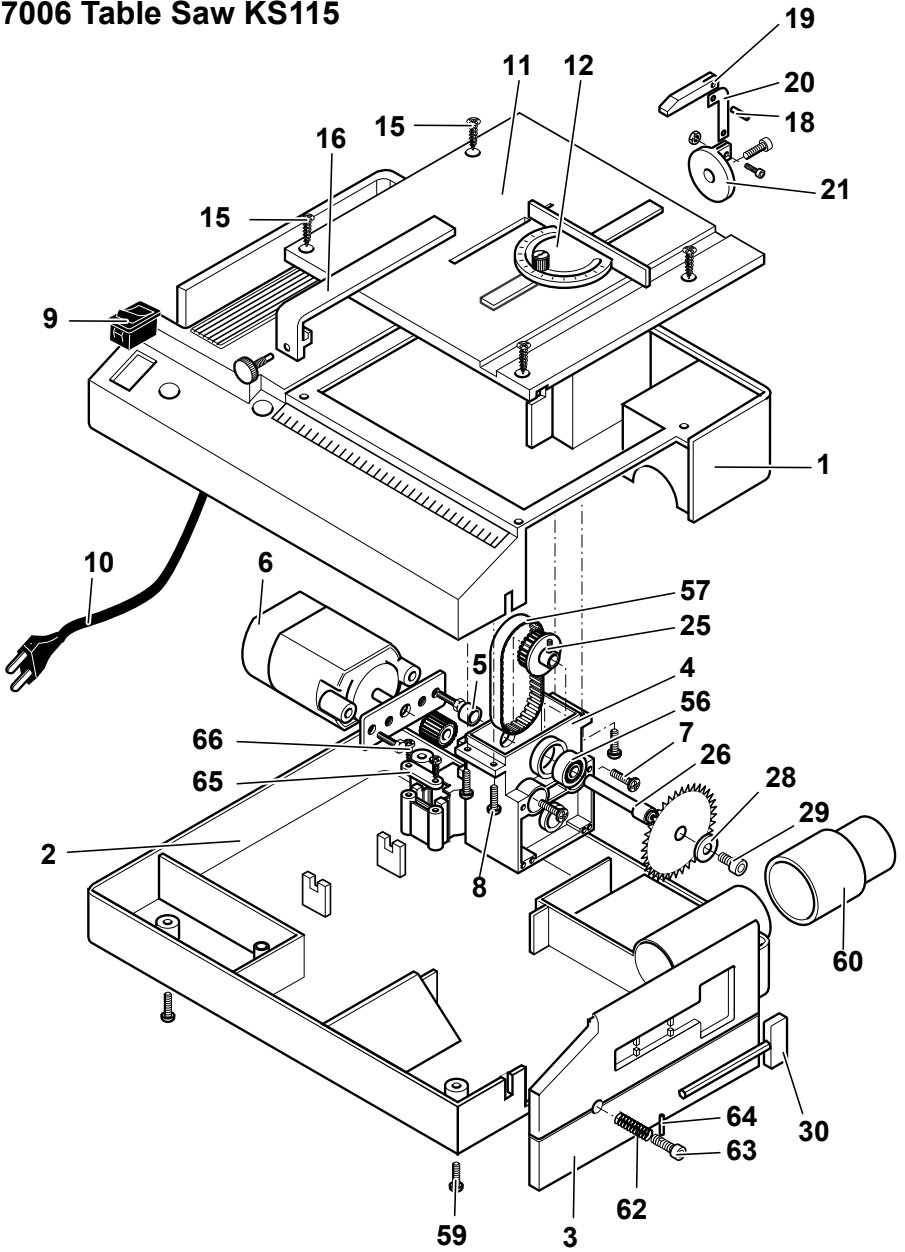


37006 Table Saw KS115



Spare parts list

Please order spare parts in writing from PROXXON Central Service (Address on back of instruction manual)

Table saw KS 115

Article No. 37 006

Part No.:	Designation	Part No.:	Designation
37006-01	Housing upper part	37006-25	Toothed belt pulley with set screw
37006-02	Housing lower part	37006-26	Shaft
37006-03	Sliding door	37006-28	Pulley
37006-04	Gear unit housing	37006-29	Fixing bolt for saw blade
37006-05	Bearing bushing	37006-30	Allen key
37006-06	Motor with fastening plate and pinion	37006-56	Ball bearing
37006-07	Motor fixing bolt	37006-57	Toothed belt
37006-08	Gear unit fixing bolt	37006-59	Fixing bolt
37006-09	Switch	37006-60	Vacuum hose connection adapter
37006-10	115 Volt connection lead with plug	37006-62	Coil spring
37006-11	Work platform	37006-63	Lock
37006-12	Angular stop, complete	37006-64	Pin
37006-15	Bolt for work platform	37006-65	Strain relief
37006-16	Longitudinal stop, complete	37006-66	Strain relief screw
37006-18	Pin	37006-97	Packaging
37006-19	Saw blade cover	37006-99	Operating instructions (incl. safety regulations)
37006-20	Splitting cotter		
37006-21	Splitting cotter mounting complete with screws		