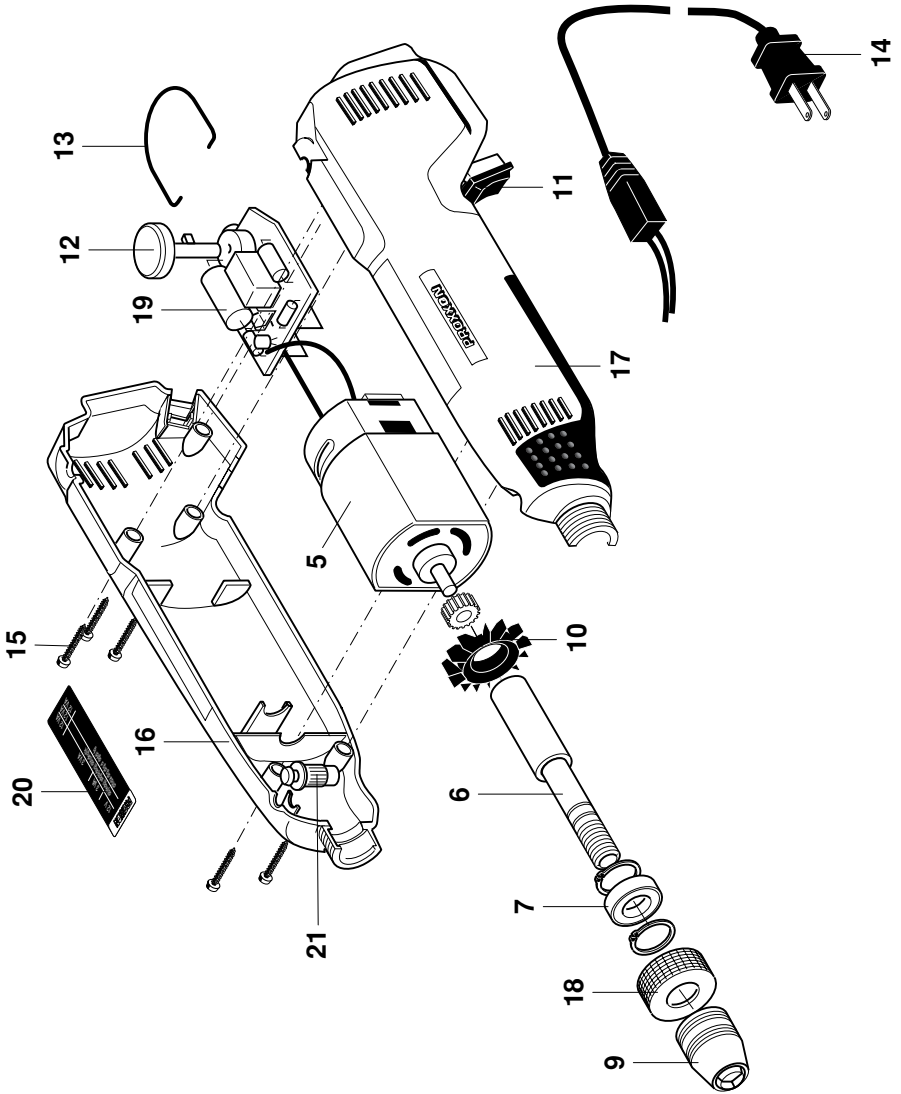


38472 Rotary Tool FBS 115/E



Spare parts list

Please order spare parts in writing from Proxxon Service center
(address on the back of this manual)

PROXXON Precision Rotary Tool FBS 115/E, No 38472

| Part no.: | Designation |
|-----------|--|
| 38472-05 | Motor with pinion |
| 28472-06 | Drive shaft |
| 28472-07 | Ball bearing |
| 28472-09 | Drill chuck (available as accessory No. 28941) |
| 28472-10 | Fan |
| 28472-11 | Switch |
| 28472-12 | Control knob |
| 28472-13 | Bow |
| 38472-14 | Connecting cable |
| 28472-15 | Housing screw |
| 28472-16 | Right half of housing |
| 28472-17 | Left half of housing |
| 28472-18 | Housing cap |
| 38472-19 | Control with potentiometer |
| 38472-20 | Label |
| 28472-21 | Locking button |
| 38472-97 | Packaging |
| 38472-99 | Operating Instructions |

LIMITED WARRANTY OF PROXXON POWER TOOLS FOR HOME USE

Prox-Tech, Inc., ("Seller") warrants to the original purchaser only, that all PROXXON consumer power tools will be free from defects in material or workmanship for a period of two years from the date of purchase. Seller's sole obligation and your exclusive remedy under this limited warranty and, to the extent permitted by law, any warranty or condition implied by law, shall be the repair or replacement of parts, without charge, which are defective in material or workmanship and which have not been misused, carelessly handled, or misrepaired by persons other than Seller or Authorized Service Station. In the event of a failure of a product to conform to this written warranty, please refer to the Service and Repair section on the back of this manual and take action accordingly. This Limited Warranty does not apply to accessory items such as circular saw blades, drill bits, router bits, jigsaw blades, sanding belts, grinding wheels and other related items. Damage to the product resulting from tampering, accident, abuse, negligence, unauthorized repairs or alterations, unapproved attachments or other causes unrelated to problems with material or workmanship are not covered by this warranty. Any implied warranties shall be limited in duration to two years from date of purchase. Some states in the U.S. and some Canadian provinces do not allow limitations on how long an implied warranty lasts, so the above limitation may not apply to you. In no event shall seller be liable for any incidental or consequential damages (including but not limited to liability for loss of profits) arising from the sale or use of this product. Some states in the U.S. and some Canadian provinces do not allow the exclusion or limitation of incidental or consequential damages; so the above limitation or exclusion may not apply to you. This limited warranty gives you specific legal rights, and you may also have other rights, which vary from state to state in the U.S., province to province in Canada and from country to country. This limited warranty applies only to PROXXON power tools sold within the United States of America, Canada, the commonwealth of Puerto Rico and Mexico. For warranty coverage within other countries contact your local PROXXON Importer.